



KITS



PUMPS



METERS



METERED NOZZLES



NOZZLES



WASTE OIL EQUIPMENTS

# OIL HOSE REEL

## FEATURES

- STURDY METALLIC STRUCTURE
- COMPACT DESIGN
- HEAVY DUTY SPRING
- LONG LASTING STEEL HUB

The PIUSI OIL HOSE REEL is an automatic closed hose reel for oil. Entirely Made in Italy, it is the perfect solution for managing the dispense of any kind of lubricant. Its sturdy closed structure makes this equipment ready to be fitted on a wall or into an open cabinet.

### PERFORMANCE

MAX <b>60 BAR</b>	<b>12M</b>
OPERATING PRESSURE	HOSE LENGTH



CLOSED OIL HOSE REEL



### PACKAGING

CODE	WEIGHT		PACKAGING			N.BOXES/ EUROPALLET	
	KG	LBS	MM	PCS/PALLET	PCS/BOX		
<b>WITH HOSE</b>							
HC60121200A	19	41,9	550X200X540		1	12	20
<b>WITHOUT HOSE</b>							
HNC60121200	14,5	32,9	550X200X540		1	12	20



FILTRATION



FLUID MONITORING



TANK MONITORING



HOSE REELS



ACCESSORIES



MERCHANDISE

INDEX



AIR



ANTIFREEZE



AdBlue®



BIODIESEL



DIESEL



FOOD



GASOLINE



GREASE



KEROSENE



OIL



WATER



WINDSCREEN

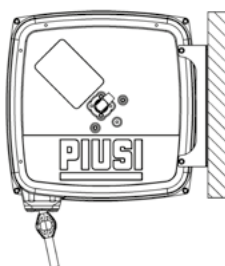
### INSTALLATION

Different ways to install PIUSI's hose reels: they can be easily placed wherever you need them without any problem about functionality and safety. PIUSI's products are without a doubt designed to support your work in any condition.

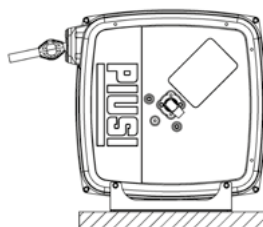
#### ROOF INSTALLATION



#### WALL INSTALLATION

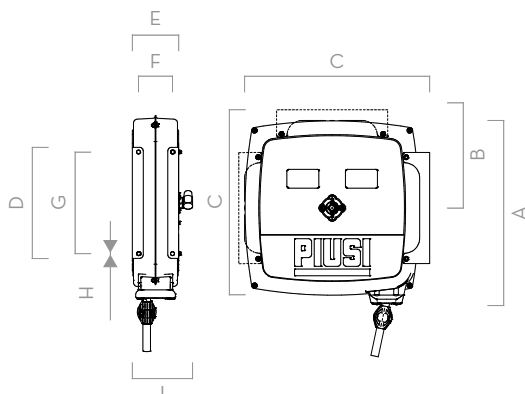


#### GROUND INSTALLATION



### DIMENSIONS

MODEL	CLOSE HOSE REEL
A	516
B	259
C	491
D	295
E	123
F	90
G	270
H	10,5
I	160



Dimensions expressed in millimeters

### IN THE BOX

- OIL HOSE REEL
- WALL MOUNT BRACKET
- INSTRUCTION MANUAL

### DETAILS



4 ROLLS HOSE GUIDE



FIX SUPPORT PLATE



SWIVEL

### MATERIALS

- BODY: CAST IRON
- HUB: SYNTERED STEEL
- TUBE: RUBBER

### TECHNICAL DATA

CODE	DESCRIPTION	FLUIDS TYPE	HOSE	MAX WORKING PRESSURE	PRESSURE DROP	INLET WITH SWIVEL	OUTLET HOSETAIL	HOSE MAX LENGHT BOUND	HOSE LENGHT
			BSP	BAR	BAR	BSP	BSP	M	M
<b>WITH HOSE</b>									
HC60121200A	CLOSED HOSE REEL 1/2" + 12MT HOSE		1/2"	60	10@30L/MIN*	1/2" MALE	1/2" MALE	-	12
<b>WITHOUT HOSE</b>									
HNC60121200	CLOSE HOSE REEL 1/2"		1/2"	60	10@30L/MIN*	1/2" MALE	1/2" MALE	12	12

(\*) PRESSURE DROP FOR OIL 200 CST

## OIL HOSE REEL