



KITS



PUMPS



METERS



METERED NOZZLES



NOZZLES



WASTE OIL EQUIPMENTS

DEPUROIL

FEATURES

- IDEAL FOR DIALYSIS OF OIL
- COMPACTNESS
- SILENT
- CLOGGING INDICATOR
- 5 METERS OF CABLE
- SPIRAL TUBES

The PIUSI DEPUROIL is an immediate mobile filtering unit, the easiest solution to a single step filtration suitable for any kind of tank. It includes the PIUSI VISCOMAT VANE pump, suitable for low/medium viscosity lubricants.

PERFORMANCE

UP TO
50L

TANK CAPACITY

AC
VOLTAGE

POWER



DEPUROIL

PACKAGING

| CODE | WEIGHT | | PACKAGING | | | |
|-----------|--------|------|-------------|----------------|------------|---------|
| | KG | LBS | MM | INCH | PCS/PALLET | PCS/BOX |
| 00050300A | 28 | 61,7 | 600X290X300 | 23,6X11,4X11,8 | | 1 |
| FO0503100 | 28 | 61,7 | 600X290X300 | 23,6X11,4X11,8 | | 1 |



FILTRATION



FLUID MONITORING



TANK MONITORING



HOSE REELS



ACCESSORIES



MERCHANDISE

INDEX



AIR



ANTIFREEZE



AdBlue®



BIODIESEL



DIESEL



FOOD



GASOLINE



GREASE



KEROSENE



OIL

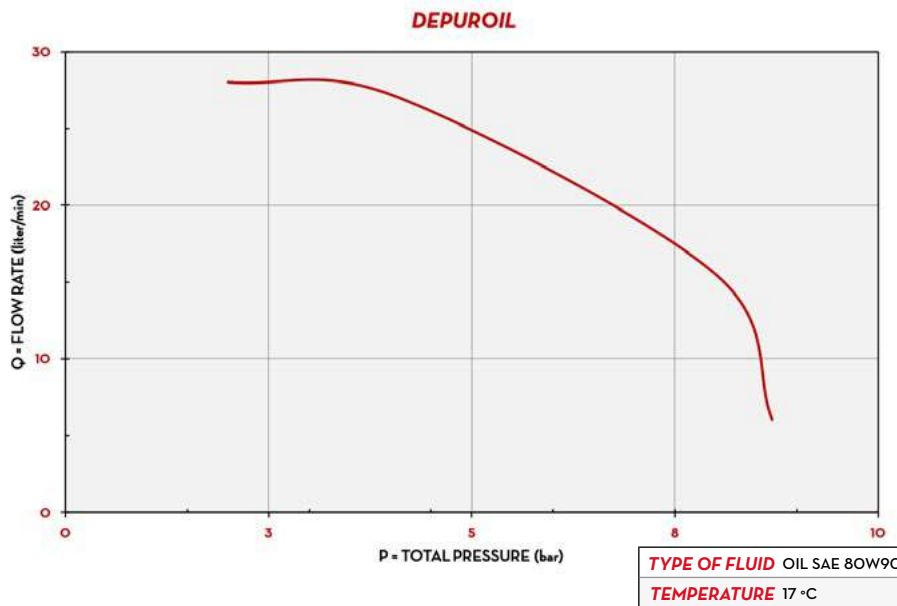


WATER



WINDSCREEN

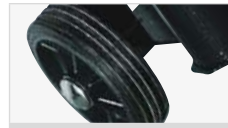
CHART



IN THE BOX

- DEPUROIL
- FILTER CARTRIDGE
- SUCTION HOSE
- DELIVERY HOSE
- INSTRUCTION MANUAL

DETAILS

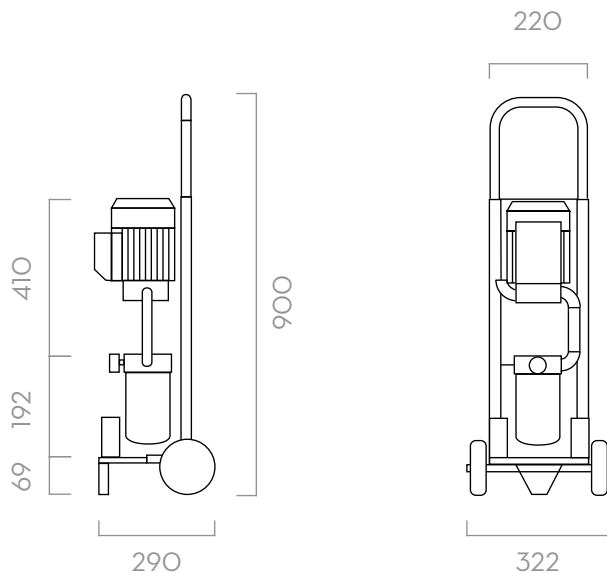


LARGE DIAMETER WHEELS



STURDY STRUCTURE

DIMENSIONS



Dimensions expressed in millimeters

MATERIALS

- BODY: CAST IRON
- ROTOR: SINTHERED STEEL
- VAINS: TECHNOPOLYMER
- SHAFT: STEEL
- FILTER: ABSORBENT FILTERING PAPER

TECHNICAL DATA

| CODE | DESCRIPTION | FLUIDS TYPE | FLOW RATE | | VOLTAGE | | | PUMP | HOSE LENGHT | | FILTERING CAPACITY |
|-----------|----------------------|-------------|-----------|----------|--------------------|------------|-----------|-------------|--------------|--------------|--------------------|
| | | | L/MIN | GPM | AC V/HZ DC VOLT | POWER WATT | AMP. MAX. | | DELIVERY /FT | SUCTION M/FT | |
| 00050300A | DEPUROIL M 230V/50HZ | | 20-25 | 5,28-6,6 | 230/50 | 1350 | 6,2 | VISCOMAT 70 | 2 / 6,5 | 2 / 6,5 | 10 |
| FO0503100 | DEPUROIL 60 | | 50 | 13 | 230/50 | 1350 | 6,2 | VISCOMAT 90 | 2 | 2 | 10 |

DEPUROIL